



# SECTION 2.4\_KSBGFH/GSFH

## PRESSURE VACUUM RELIEF VALVE WITH FLAME ARRESTER

### INTRODUCTION

**The model KSBGFH and GSFH** pressure vacuum valves with flame arrester are an advanced design for vent to Pipe away applications. Designed, manufactured and tested according to the API 2000 code, BS7244, and EN12874. These valves utilize the latest technologies to provide protection against positive or vacuum over pressure and prevent air intake, evaporative losses of product and help to contain odorous and potentially explosive vapors.

### Setting Pressure

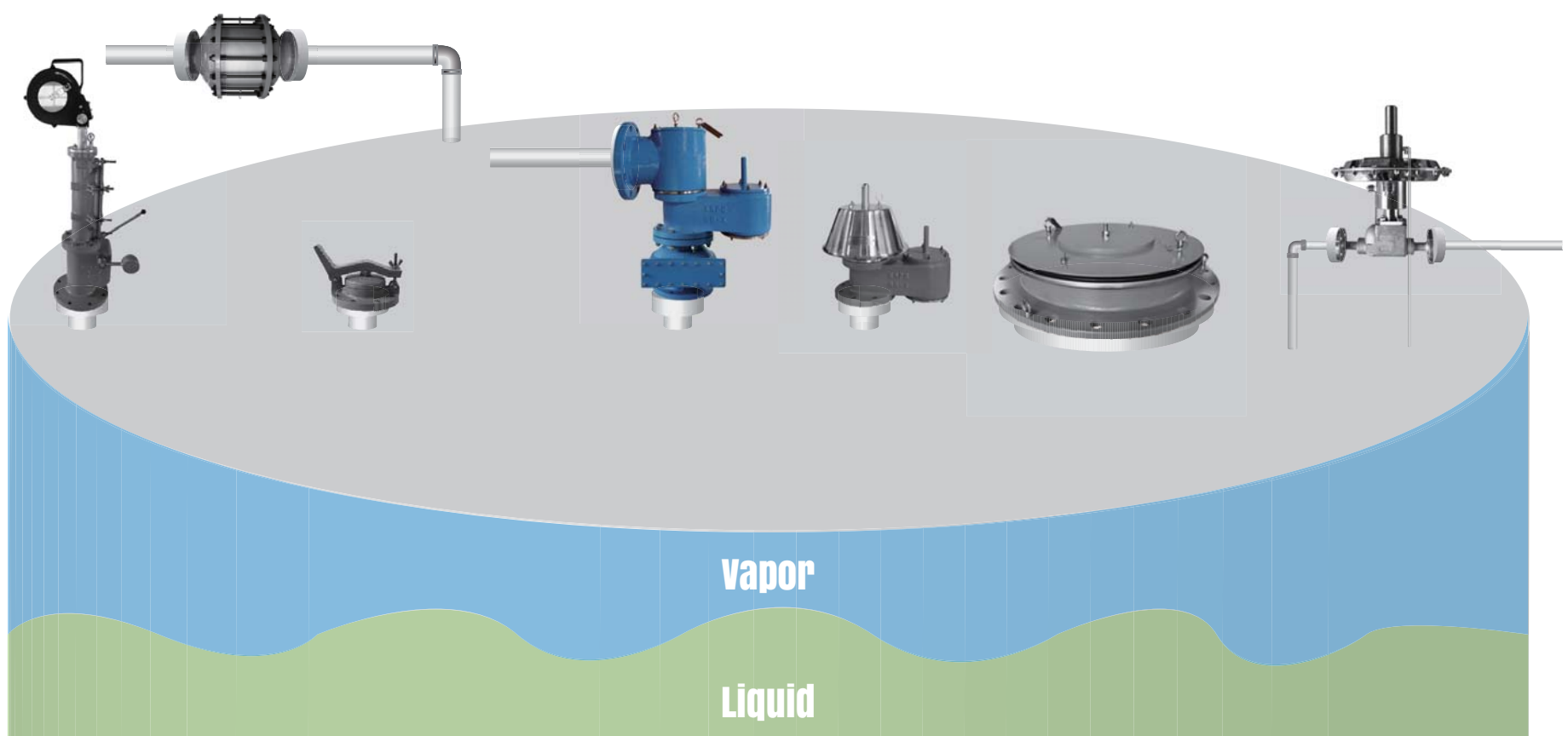
KSBGFH Weight Loaded model	Min. +/- 20 mmW.C ~ Max. + 700/- 430 mmW.C
KSGSFH Spring Loaded model	Min. + 700/- 430 mmW.C ~ Max. +/- 9,000 mmW.C

**Body Materials** Aluminium, Carbon Steel, SS304 and SS316 with various trims  
(Different materials available on request)

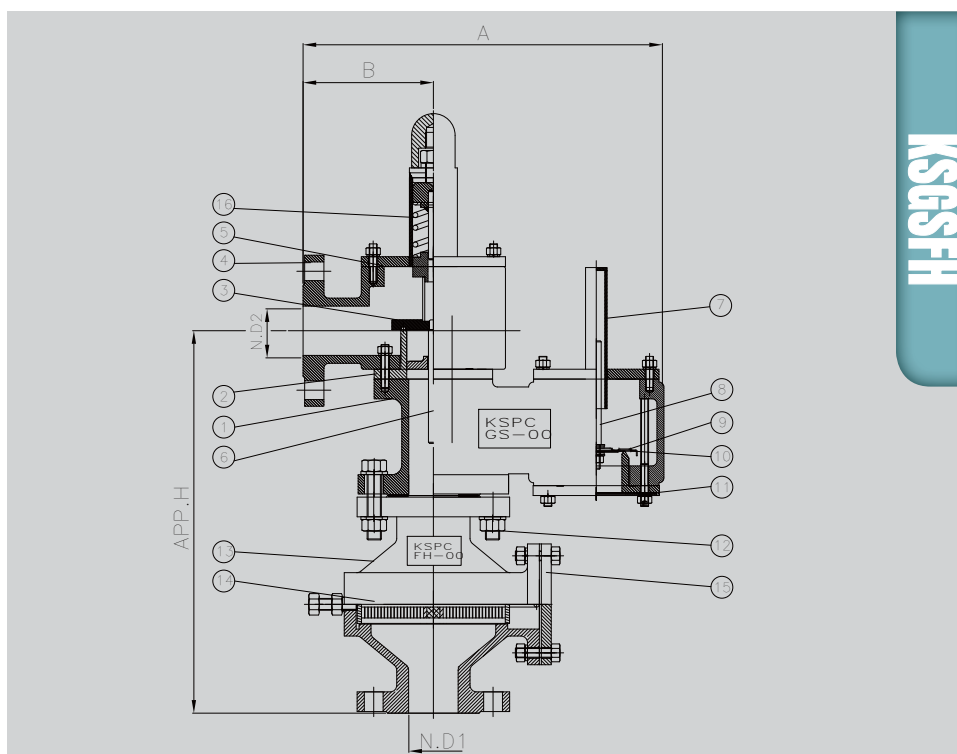
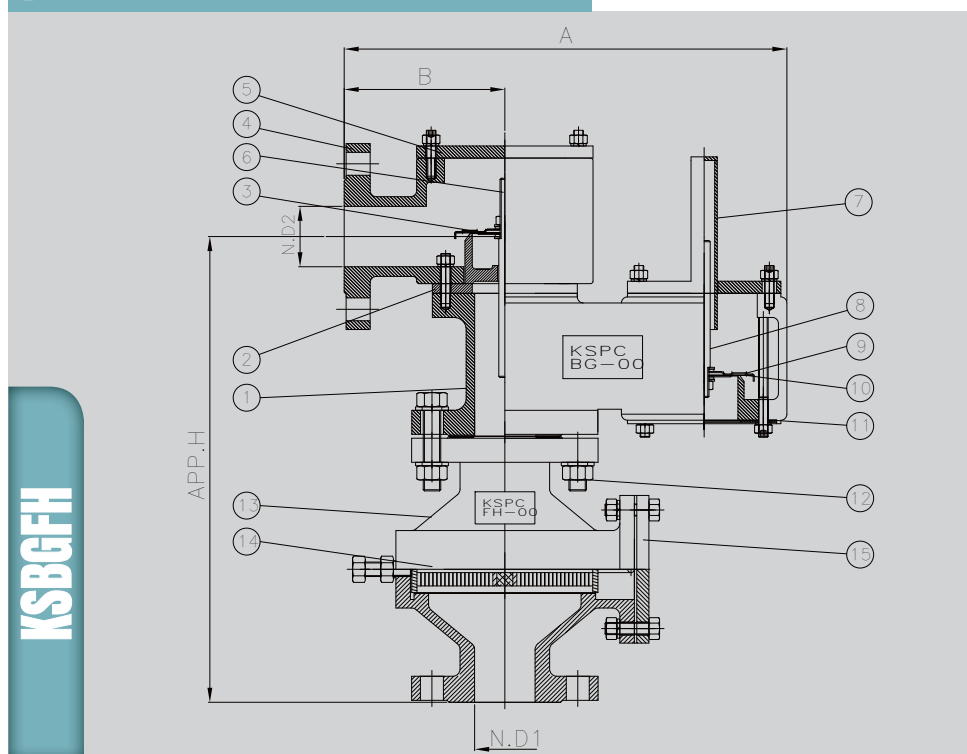
**Sizes range** DN 50 ~ DN 350 with ANSI 150lb flanges as standard  
(Different connections available on request)

**Rules & certifications** API 2000, BS7244, EN12874 & FM factory mutual approval  
Flame cell : NEC group D or IEC IIA Gases (Other gas groups available as additional extras)

### APPLICATION



## OUTLINE DRAWING



KSBGFH

KSGSFH

Section 2.4  
KSBGFH/GSFH

## DIMENSION TABLE

SIZE	2" X 2"	3" X 3"	4" X 4"	6" X 6"	8" X 8"	10" X 10"	12" X 12"	14" X 14"
N.D 1	50	80	100	150	200	250	300	350
N.D 2	50	80	100	150	200	250	300	350
A	366	470	507	630	762	868	997	1197
B	132	171	184	223	258	279	329	415
Approx. H	379	444	489	576	643	941	819	1048
SIZE	2" X 3"	3" X 4"	4" X 6"	6" X 8"	8" X 10"	10" X 12"	12" X 14"	14" X 16"
N.D 1	50	80	100	150	200	250	300	350
N.D 2	80	100	150	200	250	300	350	400
A	376	471	512	635	762	879	1011	1211
B	142	172	189	228	258	290	343	420
Approx. H	400	454	512	601	668	767	844	1088

**NOTE** Standard Connection(ANSI 150LB flange) and JIS or different types are available upon request.

## COMPONENT MATERIAL

ITEM NO	COMPONENT	BODY	ALUMINIUM	C.S	SS304	SS316
		TRIM	SS304	SS304	SS304	SS316L
1	BODY		B26-319.F	A216-WCB	A351-CF8	A351-CF8M
2	PRESSURE SEAT		B26-319.F	A351-CF8	A351-CF8	A351-CF8M
3	PRESSURE DISC		SS304	SS304	SS304	SS316L
4	BODY-2		B26-319.F	A216-WCB	A351-CF8	A351-CF8M
5	PRESSURE COVER		B26-319.F	SS304	SS304	SS316L
6	PRESSURE STEM		SS304	SS304	SS304	SS316L
7	VACUUM COVER		B26-319.F	C.S	SS304	SS316L
8	VACUUM STEM		SS304	SS304	SS304	SS316L
9	VACUUM DISC		SS304	SS304		SS316L
10	DIAPHRAGM		TEFLON			
11	VACUUM SCREEN		SS304	SS304	SS304	SS316L
12	BOLT/NUT		A193-B7 / A194-2H OR SS			
13	BODY-3		B26-319.F	A216-WCB	A351-CF8	A351-CF8M
14	ELEMENT		SS316L			
15	ELEMENT COVER		ALUMINIUM	C.S	SS304	SS316L
16	SPRING		SS304	SS304	SS304	SS316