

SECTION 4.9_KSEVK

HINGED EMERGENCY RELIEF VALVE PRESSURE VACUUM RELIEF

INTRODUCTION

The model KSEVK is designed to provide emergency pressure vacuum relief for storage tanks when exposed to over pressures and over vacuum that are not handled by standard tank vents. These vents provide the capacity to meet API standard 2000 for emergency venting due to fire exposure when properly sized. These covers can also be easily lifted open, providing a large, unobstructed passage for rapid entry and quick easy access to the tank for tank inspection and maintenance.

Setting Pressure

KSEVK Permanent Setting	Min. + 50/ - 25 mmW.C ~ Max. + 700/ - 700 mmW.C
-------------------------	---

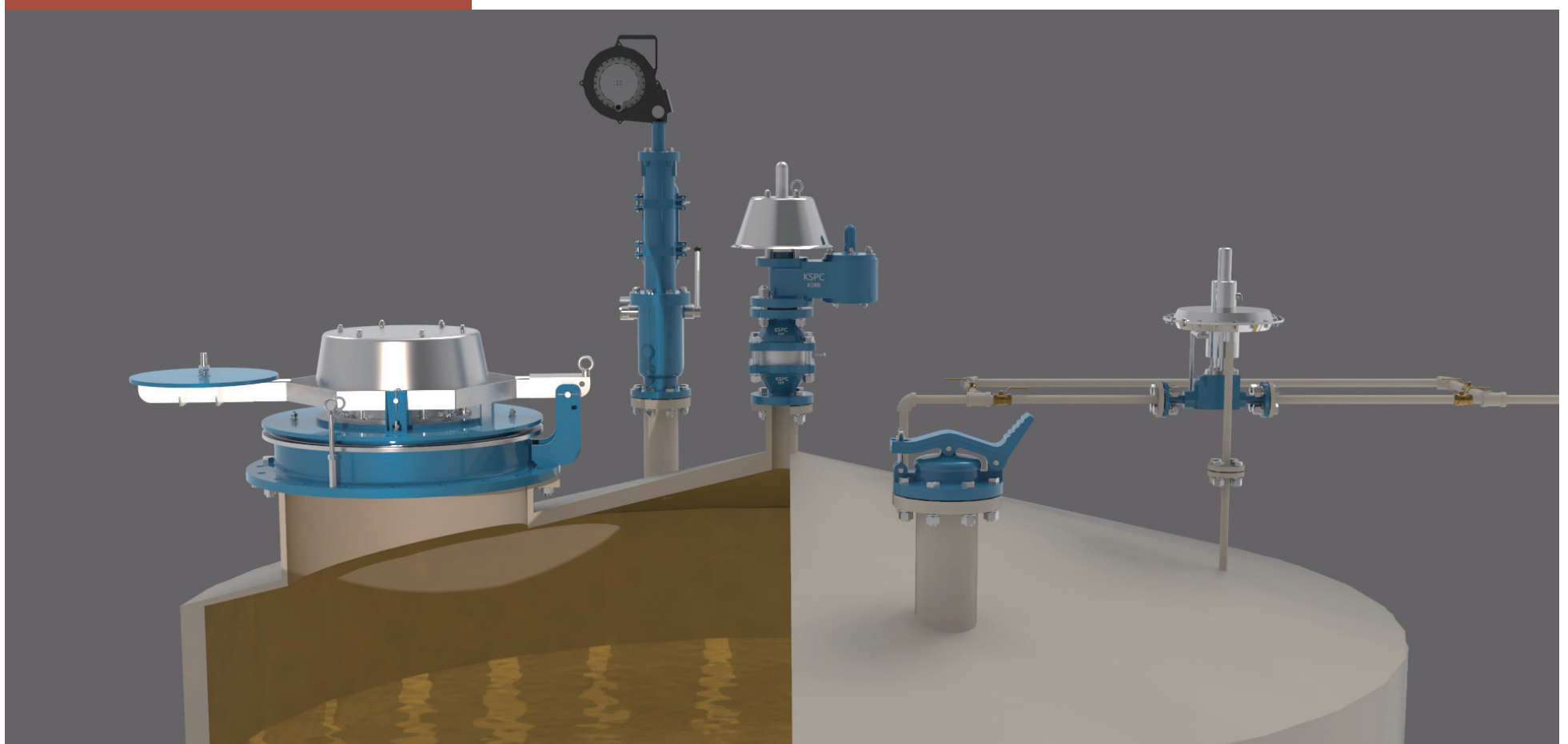
Body Materials Aluminium, Carbon Steel, SS304 and SS316 with various trims
(Different materials available on request)

Sizes range DN 400, 450, 500 and DN 750 with ASME 150Lb or API 650 flanges
(Different connections available on request)

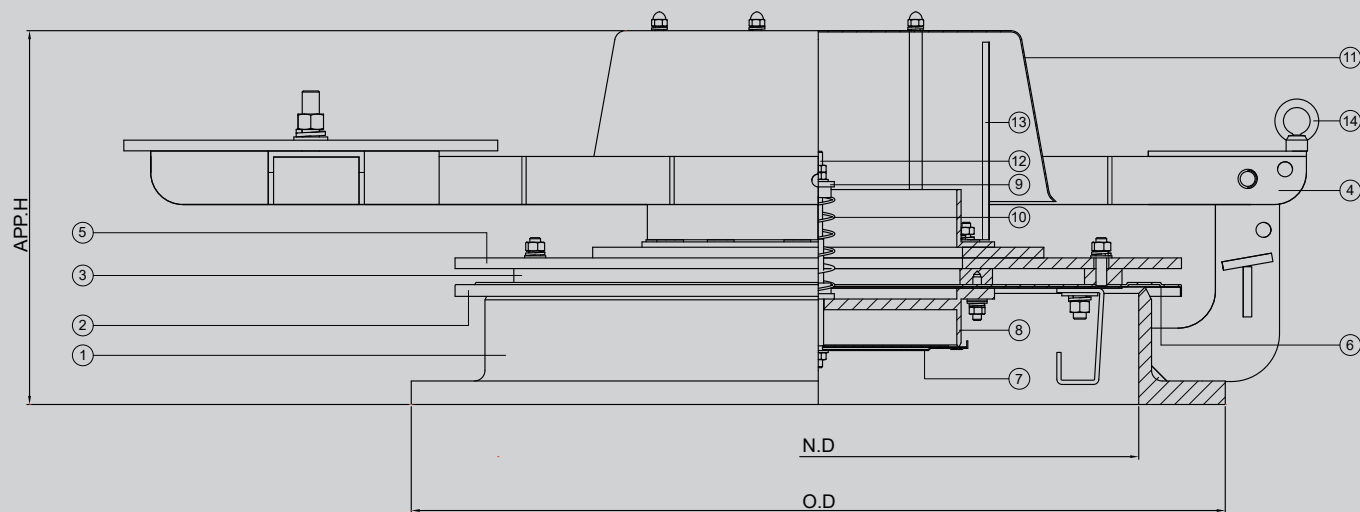
Rules & certifications API 2000 & KFI

Optimum / optional Design & Arrangements Stem Jacket type, Steam Tracing type, Proximity type, Teflon Coating/Lining type

APPLICATION



OUTLINE DRAWING



DIMENSION TABLE

SIZE		16"	18"	20"	24"
N.D		400	450	500	600
O.D	API 650	-	-	650/660	750/762
	ASME 150#	595	635	700	815
Approx. H	MIN.	350	375	400	450
	MAX.	420	445	470	520

NOTE CERTIFIED DIMENSIONS AVAILABLE UPON REQUEST (STD : API650).

COMPONENT MATERIAL

ITEM NO	COMPONENT	BODY	CARBON STEEL	SS304	SS316
		TRIM	SS304	SS304	SS316L
1	BODY		A216-WCB	A351-CF8	A351-CF8M
2	PRESSURE DISC & PLATE		SS304	SS304	SS316L
3	BASE RING		SS304	SS304	SS316/SS316L
4	HINGE & ARM		CARBON STEEL	SS304	SS316L
5	LOADING WEIGHT		CARBON STEEL	SS304	SS304/SS316L
6	DIAPHRAGM		TEFLON		
7	VACUUM DISC		SS304	SS304	SS316L
8	VACUUM SEAT		SS304	SS304	SS316/SS316L
9	VACUUM SPRING STEM		SS304	SS304	SS316
10	VACUUM SPRING		SS304	SS304	SS316
11	WEATHER HOOD		SS304	SS304	SS316
12	VACUUM STEM		SS304	SS304	SS316
13	BIRD SCREEN		SS304	SS304	SS316
14	LIFTING EYE NUT		SS304		