



# SECTION 1.8\_KSBJ

## AIR RELEASE VALVE

### INTRODUCTION

**The model KSBJ** is designed to release accumulated air pockets from the system, while pressured pipelines. Air pockets increase energy consumption because pumping operation will be at higher water heads to overcome pressured air. **KSBJ** has function to protect high shock and surge pressure, water hammer and liquid overflow from fresh or sea water pipelines.

**KSBJ** air release valve can provide low cast insurance to protect expensive maintenance cost of pipelines and pump systems.

**Body Materials** Carbon Steel, SS304, SS316 with various trims  
(Different materials available on request)

**Sizes range** DN 25 ~ DN 300 with ANSI 150lb flanges as standard  
(Different connections available on request)

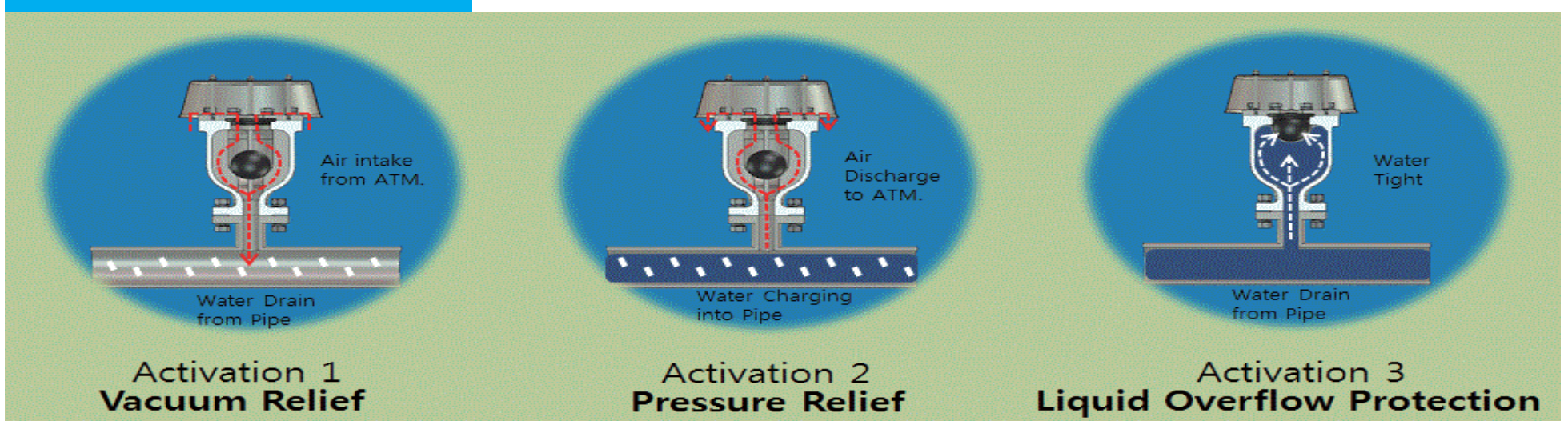
**Rules & certifications** API 2000

**Optimum / optional Design & Arrangements** Stem Jacket type, Steam Tracing type, Proximity type, Teflon Coating/Lining type

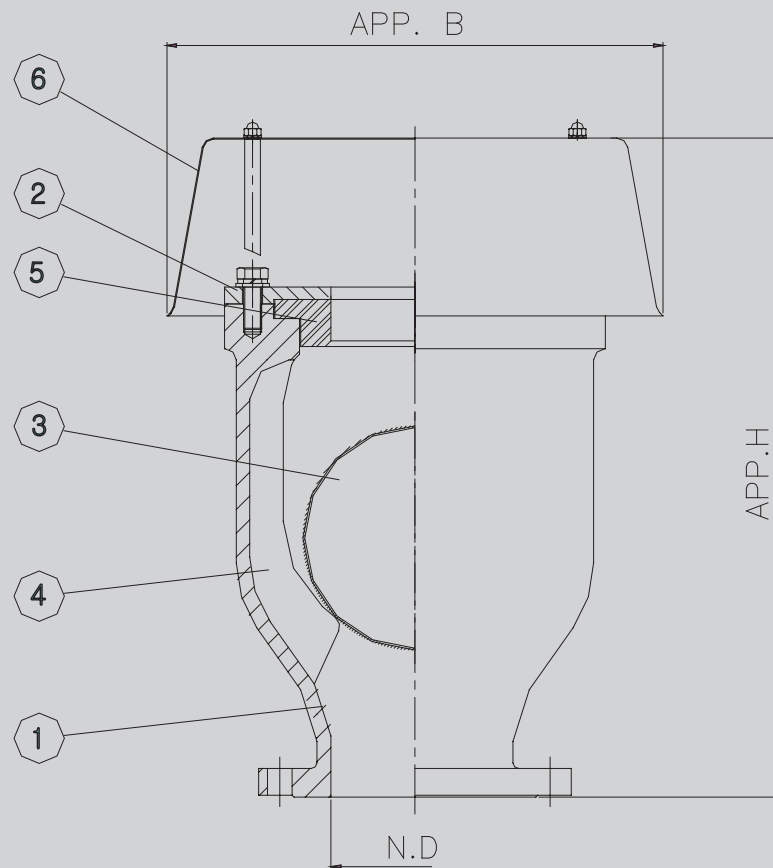
### APPLICATION



### OPERATION PRINCIPLE



## OUTLINE DRAWING



KSBJ

Section 1.8  
KSBJ

## DIMENSION TABLE

SIZE	1/2"	1"	2"	3"	4"	6"	8"	10"
N.D	15	25	50	80	100	150	200	250
Approx. B	163	163	288	288	342	440	512	512
Approx. H	245	247	360	380	405	588	658	680

**NOTE** Standard Connection(ANSI 150LB flange) and JIS or different types are available upon request.

## COMPONENT MATERIAL

ITEM NO	COMPONENT	BODY	C.S	SS304	SS316
		TRIM	SS304	SS304	SS316L
1	BODY		A216-WCB	A351-CF8	A351-CF8M
2	COVER		SS304	SS304	SS316L
3	FLOATER		SS304	SS304	SS316L
4	FLOATER GUIDE		SS304	SS304	SS316L
5	GASKET		NBR	NBR	NBR
6	HOOD		SS304	SS304	SS316L
7	SPRING		SS304	SS316	SS316L